



GEEPLUS

VM102P2

P_{100} is the continuous (100% ED) excitation power at which the coil attains temperature T_{max} with the part mounted to a massive heatsink at 20°C

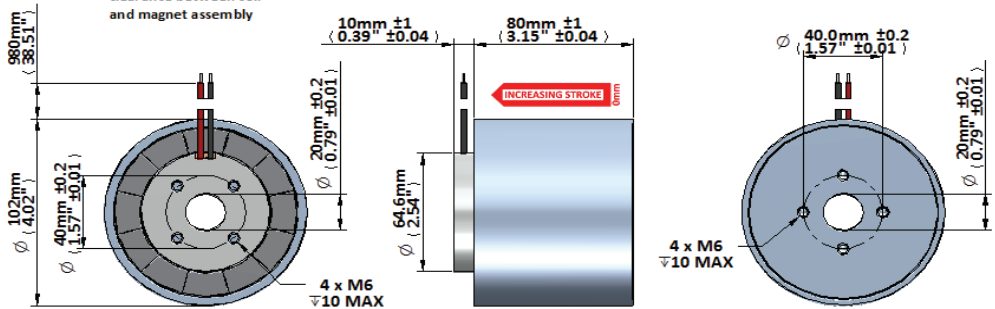
P_{100} 105 W
 T_{max} 130 °C

Total Mass 4200 g
 Coil Mass 325 g

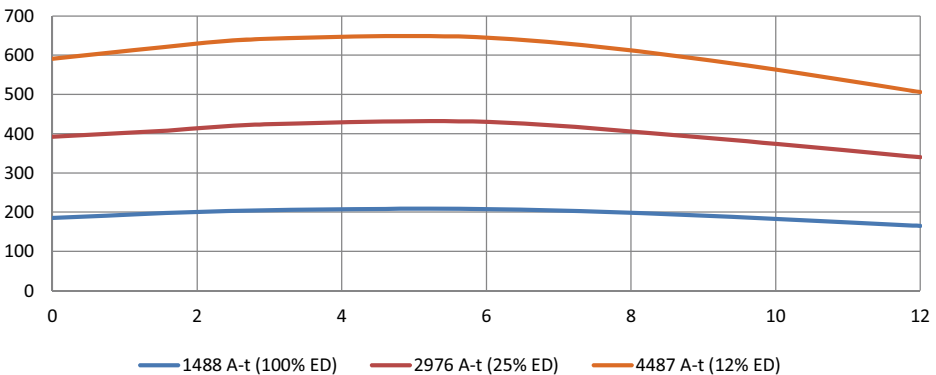
| Model No. | Resistance R_{20} | Inductance | Force Constant | Velocity Constant | Current I_{100} |
|-------------|---------------------|------------|----------------|-------------------|-------------------|
| VM102P2-710 | 2.1 Ω | 0.6 mH | 35 N/A | 35 Vs/m | 6.0 A |
| VM102P2-475 | 10.5 Ω | 3.0 mH | 78 N/A | 78 Vs/m | 2.7 A |
| VM102P2-355 | 33.4 Ω | 9.5 mH | 138 N/A | 138 Vs/m | 1.5 A |
| | | | | | |

| | Max 'ON' time | Peak Force |
|---------|---------------|------------|
| 100% ED | ∞ | 208.0 N |
| 50% ED | 100 s | 297.0 N |
| 25% ED | 35 s | 430.0 N |
| 10% ED | 12 s | 645.0 N |

This part does not include bearings - guidance should be provided in customer application to maintain clearance between coil and magnet assembly



Force (N) vs Displacement (mm)



Geeplus reserves the right to change specifications without notice
www.geeplus.biz e-mail: info@geeplus.biz