

## Coil Data

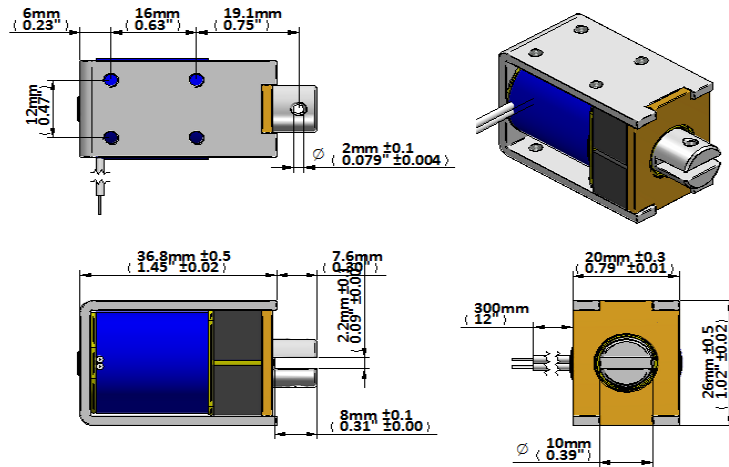
$$\text{Duty Cycle} = \frac{\text{"on" time}}{\text{"on" time} + \text{"off" time}} \times 100\% \quad 25\% \text{ ED}$$

Maximum "on" time in seconds	7
Watts at 20°C	12
Ampere-Turns at 20°C	675

P/N	Resistance ±10% @ 20°C	Coil Turns	Volts DC	Release Current
T1L-1037-6v	3.0 Ω	333	6	2000 mA
T1L-1037-12v	12.0 Ω	680	12	1000 mA
T1L-1037-24v	48.0 Ω	1350	24	500 mA

## General Parameters

Life Expectancy (Cycles)	200,000
Mass	95 grammes
Plunger Mass	18.3 grammes
Leadwires 250mm (10")min, UL1007, AWG26	
Isolation Class	A (105°C)
Dielectric Strength 1000V AC, 50/60Hz, 1min	
Insulation Res >100MΩ, 500V DC Megger	



## Force (N) vs Displacement (mm) & Release Characteristic

